

PRODUCT INFORMATION PACKET

Model No: 056T8O15504
Catalog No: X531
1 1/2,850,OPEN,56HZ,3/60/208-230/460
Commercial Refrigeration Fan



Regal and Marathon are trademarks of Regal Beloit Corporation or one of its affiliated companies.
©2018 Regal Beloit Corporation, All Rights Reserved. MC017097E





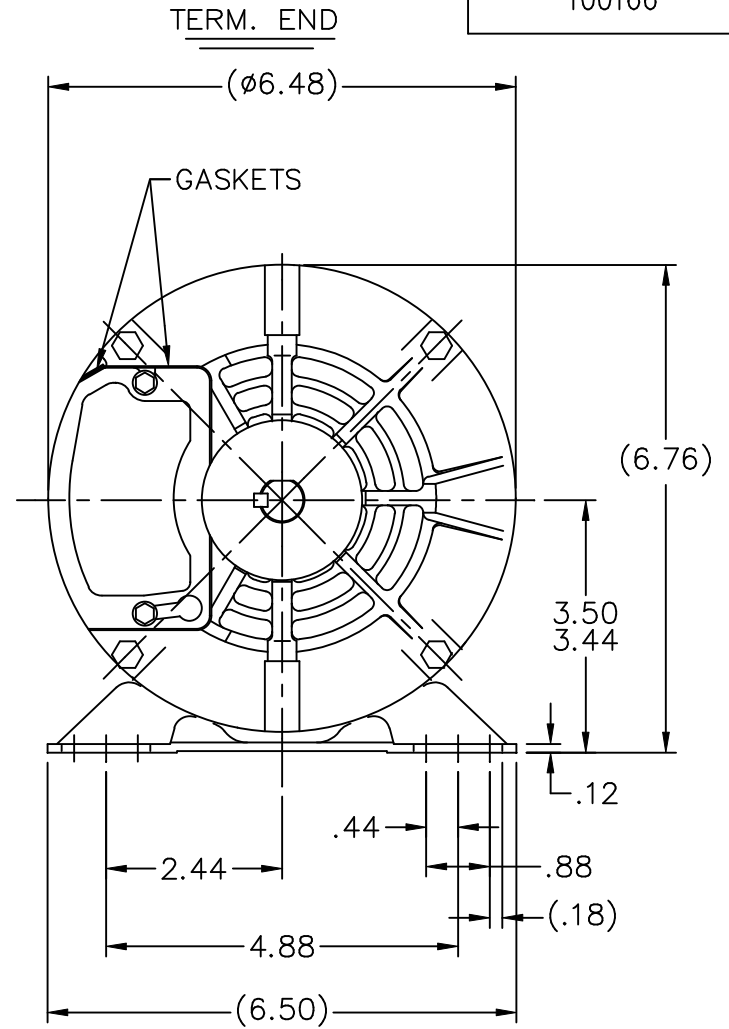
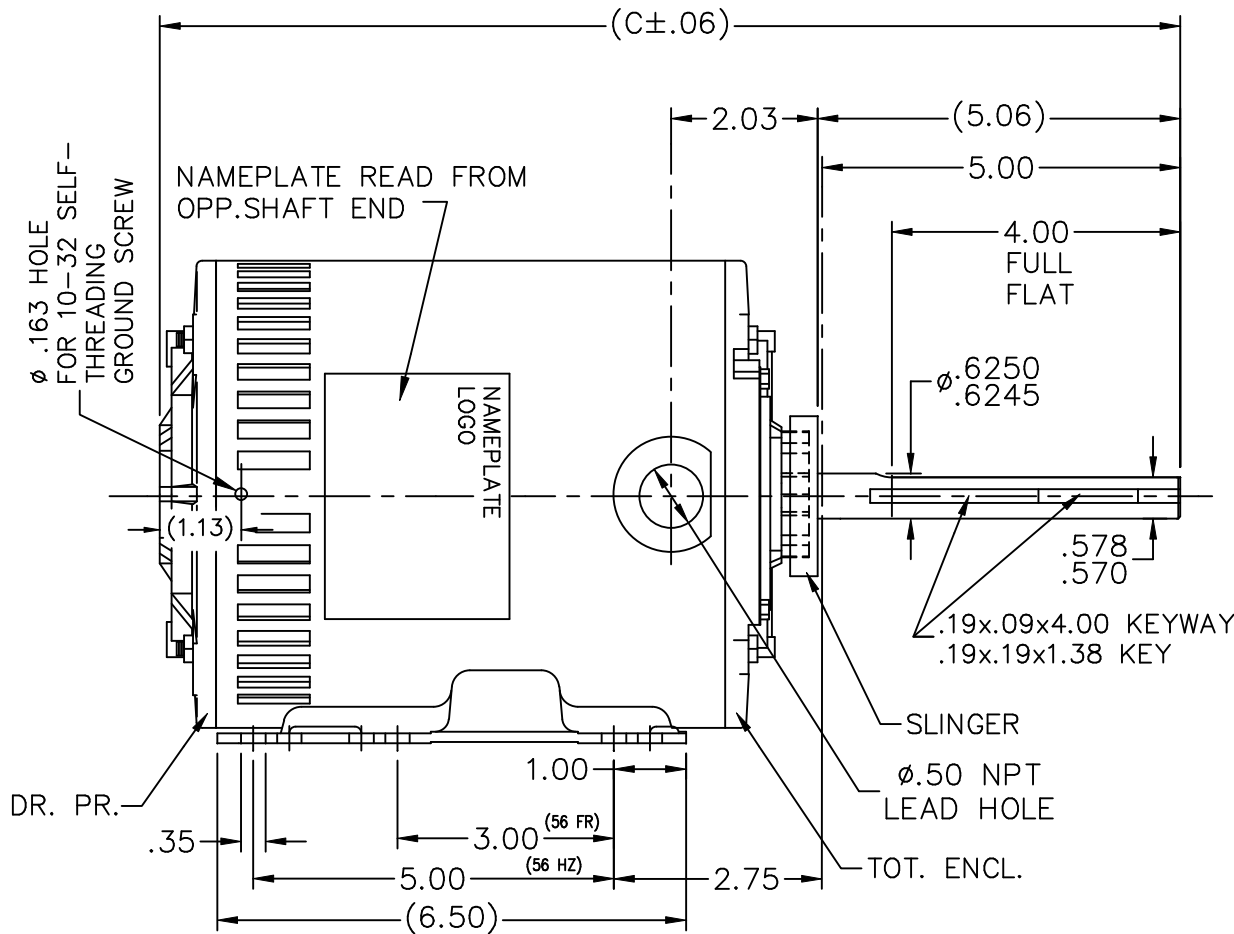
Nameplate Specifications

Output HP	1.50 Hp	Output KW	1.1 kW
Frequency	60 Hz	Voltage	208-230/460 V
Current	7.0-7.0/3.5 A	Speed	850 rpm
Service Factor	1	Phase	3
Efficiency	73.5 %	Duty	Continuous
Insulation Class	H	Design Code	B
KVA Code	G	Frame	56HZ
Enclosure	Open Air Over	Overload Protector	Automatic
Ambient Temperature	70 °C	Drive End Bearing Size	6203
Opp Drive End Bearing Size	6203	UL	Recognized (Not Protector)
CSA	Y	CE	N
IP Code	10		

Technical Specifications

Electrical Type	Squirrel Cage Induction Run	Starting Method	Across The Line
Poles	8	Rotation	Reversible
Mounting	Rigid base	Motor Orientation	Horizontal
Drive End Bearing	Ball	Opp Drive End Bearing	Ball
Frame Material	Rolled Steel	Shaft Type	Single Special Extension
Overall Length	16.68 in	Frame Length	9.56 in
Shaft Diameter	0.625 in	Shaft Extension	5.06 in
Assembly/Box Mounting	F1 Only		
Outline Drawing	A-100166-956	Connection Diagram	A-102007-1

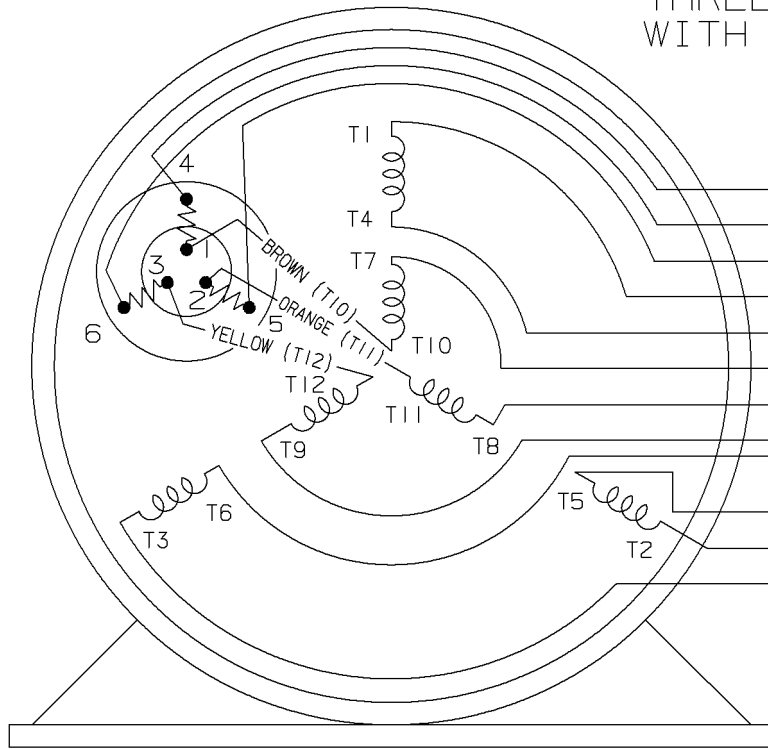
This is an uncontrolled document once printed or downloaded and is subject to change without notice. Date Created: 06/29/2018



DASH	FR.	C	DASH	FR.	C
706	56-70	14.18	906	56-90	16.18
756	56-75	14.68	956	56-95	16.68
806	56-80	15.18			
856	56-85	15.68			

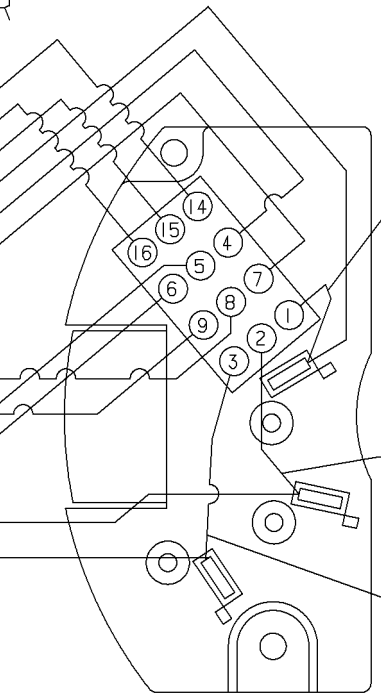
			TOLERANCES UNLESS SPECIFIED			DRAWN MJD 03-27-1998				
			DEC.	INCHES		CHK	ML	APPD	GK	
6	ADDED DASH VALUES	PBS 3/6/2007	NB	.X ±.1	TITLE OUTLINE 56 FR.CONDENSER MOTOR	SCALE 3=8				
5	REVISED FLAT TO 3 PLACE DECIMAL TOLERANCE	TAT 03-14-2005	ML	.XX ±.03		REF				
4	REDRAWN IN AUTOCAD	TAT 08-03-2004	ML	.XXX ±.005		FMF				
3	REDRAWN ON CADD	MJD 04-02-1998		.XXXX ±.0005		PREV				
NO.	REVISION	BY & DATE	CHK	ANG	FINISH					
THIS DRAWING IN DESIGN AND DETAIL IS OUR PROPERTY AND MUST NOT BE USED EXCEPT IN CONNECTION WITH OUR WORK ALL RIGHTS OF DESIGN AND INVENTION ARE RESERVED THIS IS AN ELECTRONICALLY GENERATED DOCUMENT - DO NOT SCALE THIS PRINT			RFP		CAD FILE 100166	SIZE A	DRAWING NO. 100166	PAGE OF	REV. 6	
			DIST	WP						

THREE PHASE-DUAL VOLTAGE WITH THERMAL PROTECTOR



VIEW OF TERMINAL END

- (T14) BROWN
- (T16) YELLOW
- (T15) ORANGE
- (T1) RED
- T4
- T7
- T8
- T9
- T6
- T5
- (T2) BLUE
- (T3) BLACK

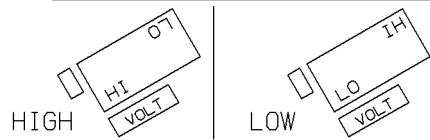


VIEWING BOTTOM OF TERMINAL BOARD

RED
 NUMBERS SHOWN ON TERM BOARD ARE FOR REF. ONLY.
 (NUMBERS DO NOT APPEAR ON PARTS.)

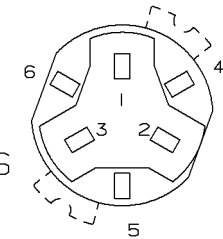
BLUE
 BLACK

TO CHANGE VOLTAGE, PULL PLUG, ROTATE 180° AND REINSERT



CONNECT LINES TO L1, L2 & L3

NOTE:
 ACTUAL PROTECTORS TERMINAL LOCATIONS FOR LEAD CONNECTIONS



4	06-26-1995	1,2,3 WERE SWITCHED WITH 4,5,6 ON THE TERMINAL CN 20644	BR	✓ MAX. SURFACE ROUGHNESS UNLESS NOTED OTHERWISE	UNLESS OTHERWISE SPECIFIED DIMENSIONS ARE IN INCHES TOL. ON XX±.02 XXX±.005 XXXX±.0005 ANGLES± 7°30"			
3	05-18-1994	ADDED ACTUAL PROTECTOR VIEW CN 17481	KL	MATL SPEC				DRAWN BY RM 07-20-1993
2	07-20-1993	REDRAWN ON CADD, ORIGINAL LOST. REV. VCD TO COLORED LEADS CNI3741	RM	REFERENCE DRW.				CHKD BY ET 07-20-1993
REV	DATE	CHANGE	NAME	PART NAME CONNECTION DIAGRAM 3Ø - DUAL VOLTAGE MOTOR				APPD BY ET 07-20-1993
			DRWG NO A- 102007-1					

SHOP BOOK

PURCHASED

DISTRIBUTION - WA - LB - WP - LM - BR

CADD FILE NO.

102007-1

CERTIFICATION DATA SHEET

Model#: 56T8015504 D WINDING#: ZT812 DR 3
 CONN. DIAGRAM: A-102007-1 ASSEMBLY: F1 ONLY
 OUTLINE: A-100166-956

TYPICAL MOTOR PERFORMANCE DATA

HP	KW	SYNC. RPM	F.L. RPM	FRAME	ENCLOSURE	KVA CODE	DESIGN
1 1/2&1	1.12&.75	900	850&710	56Z	OPAO	G	B

PH	Hz	VOLTS	FL AMPS	START TYPE	DUTY	INSL	S.F	AMB°C	ELEVATION
3	60/50	208-230/460#190/380	7-7/3.5&5.8/2.9	ACROSS THE LINE	CONTINUOUS	H1	1.0/1.0	70	3300

FULL LOAD EFF: 73.5&72	3/4 LOAD EFF: 73.5	1/2 LOAD EFF: 71	GTD. EFF	ELEC. TYPE	NO LOAD AMPS
FULL LOAD PF: 60&56	3/4 LOAD PF: 50	1/2 LOAD PF: 39	68.2	SQ CAGE IND RUN	4.6 / 2.3

F.L. TORQUE	LOCKED ROTOR AMPS	L.R. TORQUE	B.D. TORQUE	F.L. RISE°C
9.4 LB-FT	20.4 / 10.2	14.6 LB-FT 155	18.8 LB-FT 200	0

SOUND PRESSURE @ 3 FT.	SOUND POWER	ROTOR WK^2	MAX. WK^2	SAFE STALL TIME	STARTS /HOUR	APPROX. MOTOR WGT
60 dBA	70 dBA	0.14 LB-FT^2	74 LB-FT^2	15 SEC.	2	48 LBS.

*** SUPPLEMENTAL INFORMATION ***

DE BRACKET TYPE	ODE BRACKET TYPE	MOUNT TYPE	ORIENTATION	SEVERE DUTY	HAZARDOUS LOCATION	DRIP COVER	SCREENS	PAINT
STANDARD	STANDARD	RIGID	HORIZONTAL	FALSE	NONE	FALSE	NONE	GRAY (POWDER)

BEARINGS		GREASE	SHAFT TYPE	SPECIAL DE	SPECIAL ODE	SHAFT MATERIAL	FRAME MATERIAL
DE	OPE						
BALL	BALL	DC 44M	SGL SPL EXT	0.625 x 2.25 IN SEK WITH 25 MM BEARING	NONE	1144 STRESSPROOF (C-223)	ROLLED STEEL
6203	6203						

THERMO-PROTECTORS				THERMISTORS	CONTROL	SPACE /n HEATERS
THERMOSTATS	PROTECTORS	WDG RTDs	BRG RTDs			
NONE	AUTOMATIC	NONE	NONE	NONE	FALSE	NONE VOLTS

If Inverter equals NONE, contact factory for further information

*
N
O
T
E
S
*

INVERTER TORQUE: NONE	INV. HP SPEED RANGE: NONE
ENCODER: NONE	NONE NONE
NONE NONE PPR	
BRAKE: NONE NONE	NONE P/N NONE
NONE NONE	NONE NONE
NONE FT-LB	NONE V NONE Hz

DATE: 06/28/2017 05:20:33 AM
 FORM 3531 REV.3 02/07/99
 ** Subject to change without notice.

